

Features

The FS5620J represents the premium level of data collection devices. Using advanced 2D imaging technology, FS5620J 2D stationary barcode reader provides a solution for OEM use into self-service kiosks, price checker, ticket readers, document handling, as well as vending machines.

- * Omni-directional reading
- * 1D / 2D Imager capture capability.
- * Interface options: USB HID
- * Integrated good-read beeper & LED indicator
- * Presentation mode
- * Applications: QR code reader on desk;
Hands-free Barcode Scanner with stand
Install into KIOSK, Self-service device



Scanners Specifications :

Model Name	FS5620J
Description	Stationary 2D barcode scanner
Engine	2D engine
Scan Mode	Presentation mode

Performance Characteristics

• Light source	White LED
• Scan speed	60 frame /sec
• Depth of field	13 mil UPCA : 280 mm 20 mil QR code : 220mm
• Sensor	CMOS (640x480 pixels)
• Best resolution	1D (4mil): Code 39
• Indicators	LED & Beeper
• Print contrast	≥ 30% or more
• Symbologies	1D: Code 128, EAN-13, EAN-8, Code 39, Code 32, UPC-A, UPC-E, Codabar, Interleaved 2 of 5, ISBN/ISSN, Code 93, UCC/EAN-128, GS1 Databar, 2D: PDF417, QR Code, Micro QR Code, Data Matrix, Aztec
• Interface	USB HID

Electrical Characteristics

• Input voltage	5 V/DC ± 5%
• Current - operating	190 mA max

Physical Characteristics

• Dimension (L x W x H)	52 X 52 X 50 mm
• Weight	102 g +/- 5 g (with Cable No stand)

Environment

• Temperature-operation	-0°C to 50°C
• Temperature-storage	-10°C to 60°C
• Humidity-operation	5% to 95% relative humidity, non-condensing
• Ambient Light	0-100,000 lux max

Decode Zone (DOF is measured at the office under 600 lux and by Standard barcode. There are +/- 10 mm Torrence. DOF may be also impacted by barcode quality and environmental conditions.)

• 4 mil Code 39	10 ~ 90 mm
• 5 mil Code 39	10 ~ 120 mm
• 13 mil UPCA	20 ~ 280 mm
• 10 mil DataMatrix	10 ~ 135 mm
• 20 mil QR code	0 ~ 240 mm

Product specification is subject to change without notice.

RIOTEC CO., LTD.

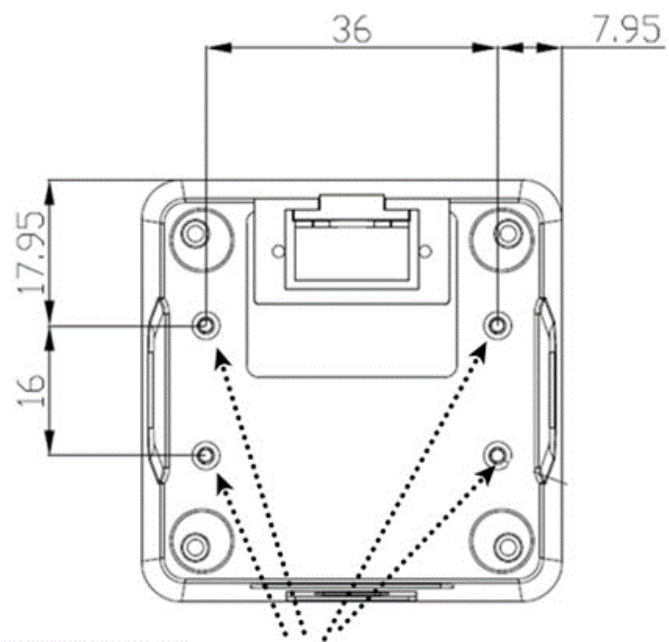
8F., 196-2, DaTong Rd., Sec. 3, Xizhi Dist., New Taipei City 221, Taiwan

TEL : +886-2-8647-1828

FAX : +886-2-8647-1800

E-mail : sales@riotec.com.tw

Web : www.riotec.com.tw



$M2 \cdot N + 3\text{mm}$

N = Plate thickness

Ex.: if the Plate thickness is 4 mm, $M2 \cdot 7\text{ mm}$